


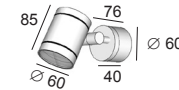


# MAX-S1

last update 28/09/2015

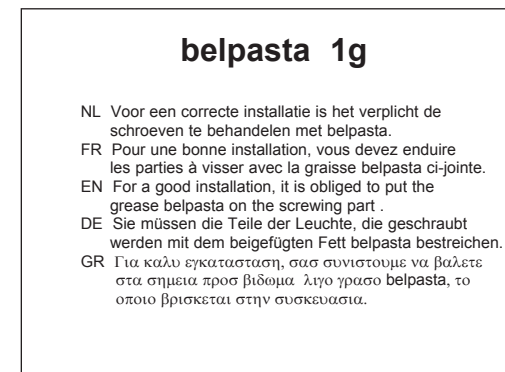
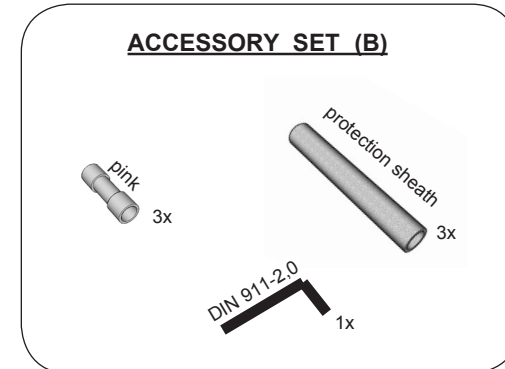
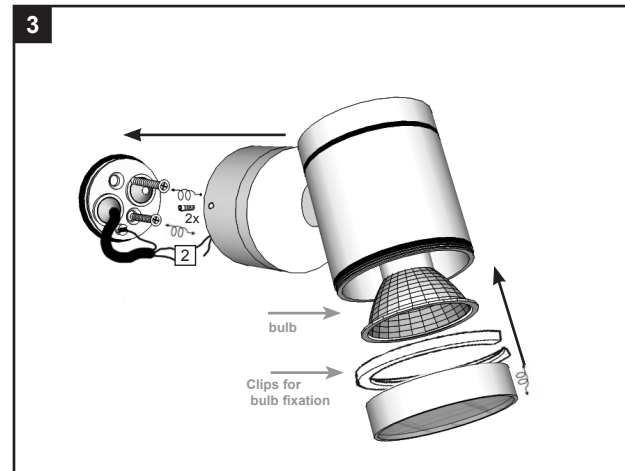
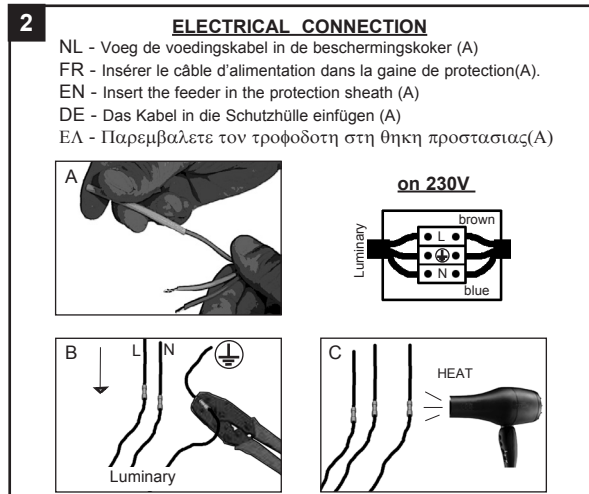
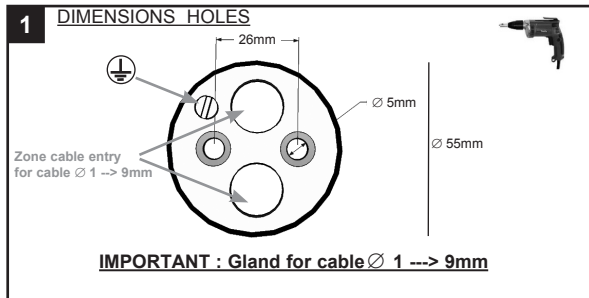
BEL1175

**Max-S1** : code 301.GU. \_\_ max.50W QPAR16/GU10 - 230V~ - CE - IP65 - IK04 -  -  - 



## INSTALLATION INSTRUCTIONS - PART A

1. FIT THE WALL FIXATION ON THE WALL
2. MAKE THE ELECTRICAL CONNECTION
3. PLACE THE LUMINARY
4. SWITCH ON



**BEL LIGHTING**

BEL LIGHTING sprl  
 Avenue Ernest Solvay 42  
 B-1480 Saintes (Tubize)  
 Belgium  
 Phone: +32(0)2 3552428  
 Fax: +32(0)2 3550396  
 e-mail: info@bel-lighting.com  
 www.bel-lighting.com

**PART**

**A**

Lees de algemene gebruiksvoorwaarden : PART B  
 Lire attentivement les conditions generales d'utilisation: PART B  
 Read attentively the general instructions: PART B  
 Lesen Sie die allgemeinen Gebrauchsanweisungen: PART B  
 Διαβάστε τις γενικές οδηγίες : PART B

WAARSCHUWING  
 AVERTISSEMENT  
 WARNING  
 WARNUNG  
 ΠΡΟΣΟΧΗ