

ULYSS FL - DESPO FL

last update 28/09/2015

BEL1166



BEL LIGHTING sprl
Avenue Ernest Solvay 42
B-1480 Saintes (Tubize)
Belgium
Phone: +32(0)2 3552428
Fax: +32(0)2 3550396
e-mail: info@bel-lighting.com
www.bel-lighting.com

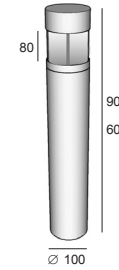
Ulyss FL : code 969_4. _ _ _ _

16,5W - 230V~ - CE - IP65 - IK09 - - -

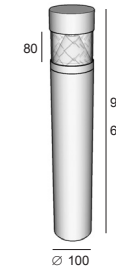
Despo FL : code 994_4. _ _ _ _

16,5W - 230V~ - CE - IP65 - IK09 - - -

Ulyss FL

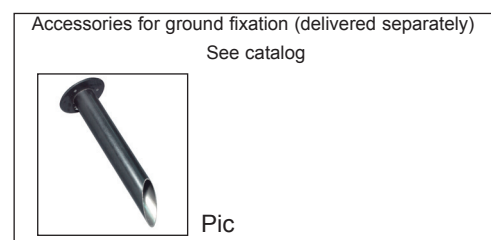
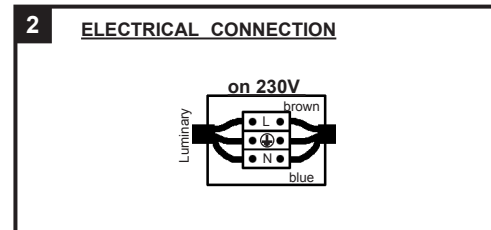
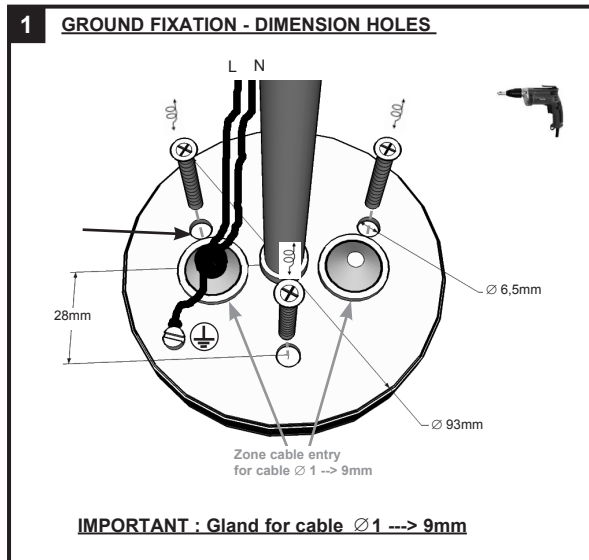


Despo FL



INSTALLATION INSTRUCTIONS - PART A

1. FIT THE GROUND FIXATION ON THE GROUND
2. MAKE THE ELECTRICAL CONNECTION
3. PLACE THE LUMINARY
4. SWITCH ON



PART A

Lees de algemene gebruiksvoorwaarden : PART B
Lire attentivement les conditions generales d'utilisation: PART B
Read attentively the general instructions: PART B
Lesen Sie die allgemeinen Gebrauchsanweisungen: PART B
Διαβάστε της γενικές οδηγίες : PART B

WAARSCHUWING
AVERTISSEMENT
WARNING
WARNUNG
ΠΡΟΣΟΧΗ