

Big Seven

last update 28/09/2015

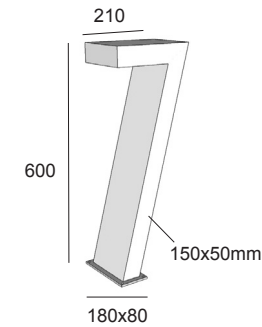
BEL1162



BEL LIGHTING sprl
Avenue Ernest Solvay 42
B-1480 Saintes (Tubize)
Belgium
Phone: +32(0)2 3552428
Fax: +32(0)2 3550396
e-mail: info@bel-lighting.com
www.bel-lighting.com

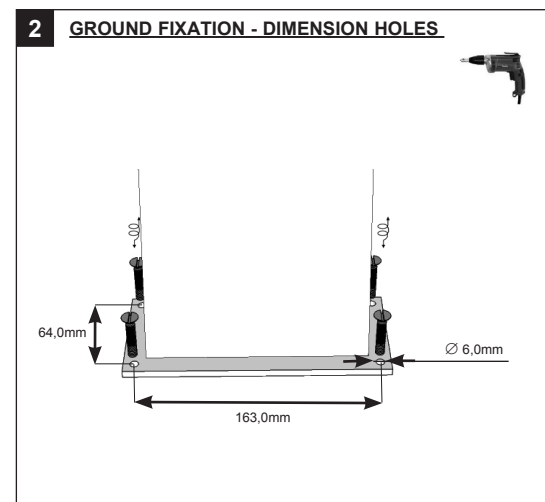
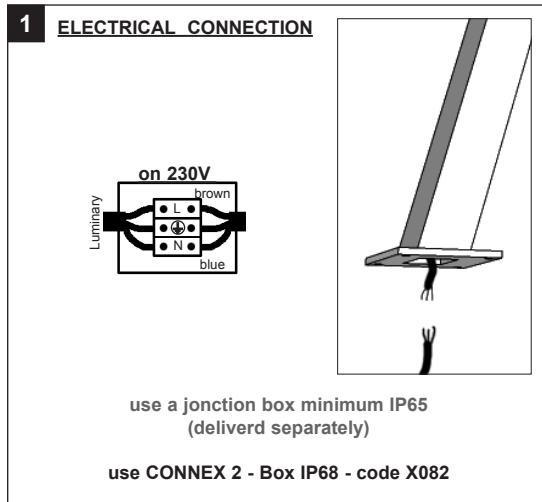
Big Seven : code 8064._1._ _ 9,5W - 230V~ - CE - IP65 - IK09 - - -

code 8064._2._ _ 19,0W - 230V~ - CE - IP65 - IK09 - - -



INSTALLATION INSTRUCTIONS - PART A

1. MAKE THE ELECTRICAL CONNECTION
2. PLACE THE LUMINARY
3. SWITCH ON



*do not use version rusty iron on tiling, paving, wood, ...

PART

A

Lees de algemene gebruiksvoorwaarden : PART B
Lire attentivement les conditions generales d'utilisation: PART B
Read attentively the general instructions: PART B
Lesen Sie die algemeinen Gebrauchsanweisungen: PART B
Διαβάστε της γενικές οδηγίες : PART B

WAARSCHUWING
AVERTISSEMENT
WARNING
WARNUNG
ΠΡΟΣΟΧΗ