

# ULYSS FL - DESPO FL

last update 28/09/2015

BEL1166



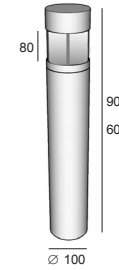
**Ulyss FL** : code 969\_4. \_ \_ \_ \_

16,5W - 230V~ - CE - IP65 - IK09 - - -

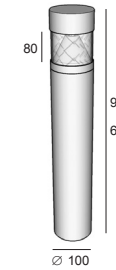
**Despo FL** : code 994\_4. \_ \_ \_ \_

16,5W - 230V~ - CE - IP65 - IK09 - - -

Ulyss FL



Despo FL

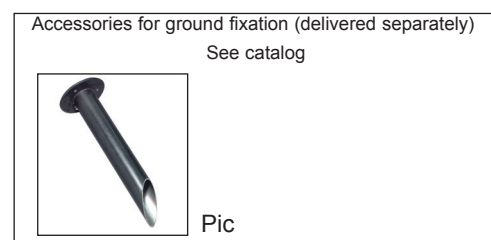
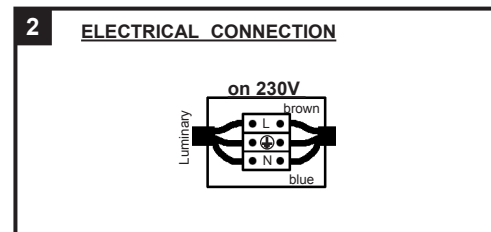
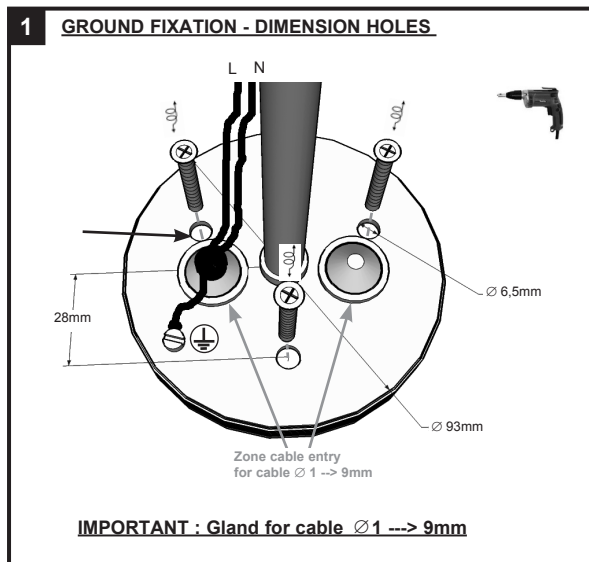


BEL LIGHTING sprl  
Avenue Ernest Solvay 42  
B-1480 Saintes (Tubize)  
Belgium  
Phone: +32(0)2 3552428  
Fax: +32(0)2 3550396  
e-mail: info@bel-lighting.com  
www.bel-lighting.com

## PART A

### INSTALLATION INSTRUCTIONS - PART A

1. FIT THE GROUND FIXATION ON THE GROUND
2. MAKE THE ELECTRICAL CONNECTION
3. PLACE THE LUMINARY
4. SWITCH ON



Lees de algemene gebruiksvoorwaarden : PART B  
Lire attentivement les conditions generales d'utilisation: PART B  
Read attentively the general instructions: PART B  
Lesen Sie die allgemeinen Gebrauchsanweisungen: PART B  
Διαβάστε της γενικές οδηγίες : PART B

WAARSCHUWING  
AVERTISSEMENT  
WARNING  
WARNUNG  
ΠΡΟΣΟΧΗ