

Quadris - Ziko

last update 24/09/2015

BEL1013

Ziko : code 1101.____.____

1,2W - 350mA - CE - IP65 - III - F - 0,5 mm - [Symbol]

Quadris : code 1102.____.____

1,2W - 350mA - CE - IP65 - III - F - 0,5 mm - [Symbol]

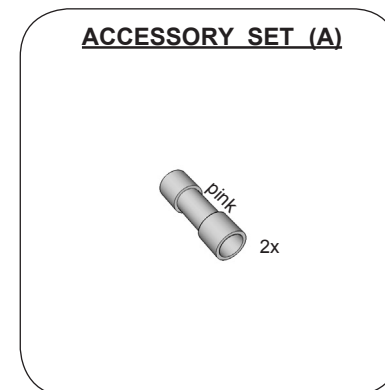
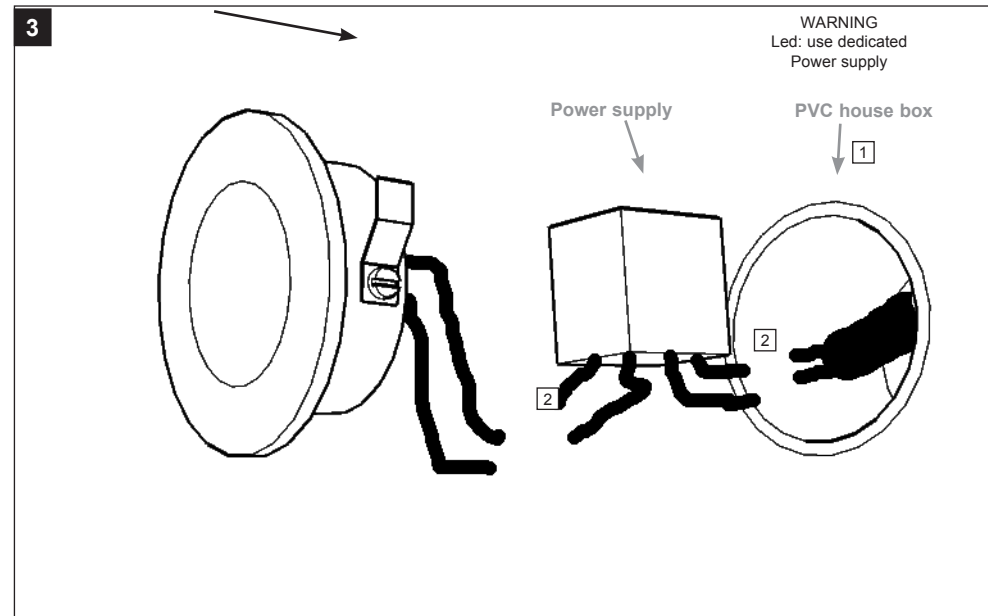
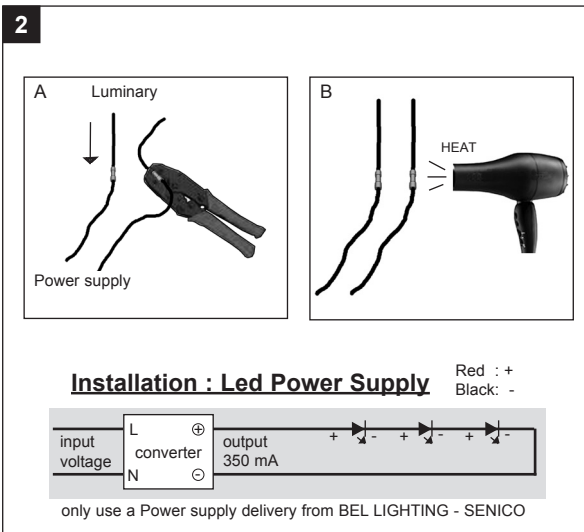
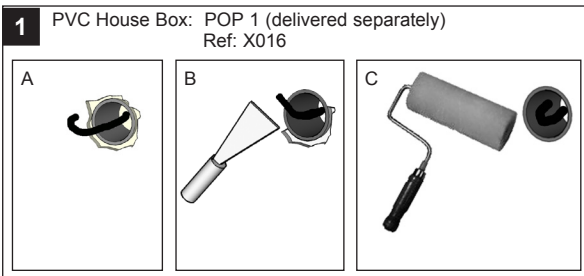
**LED
350mA**
1,2 W
led incorporated
Power supply not incorporated



BEL LIGHTING sprl
Avenue Ernest Solvay 42
B-1480 Saintes (Tubize)
Belgium
Phone: +32(0)2 3552428
Fax: +32(0)2 3550396
e-mail: info@bel-lighting.com
www.bel-lighting.com

INSTALLATION INSTRUCTIONS - PART A

1. FIT THE PVC HOUSE BOX IN THE WALL
2. MAKE THE ELECTRICAL CONNECTION
3. PLACE THE LUMINARY
4. SWITCH ON



PART A

Lees de algemene gebruiksvoorwaarden : PART B
Lire attentivement les conditions générales d'utilisation: PART B
Read attentively the general instructions: PART B
Λεση Σηε die algemeinen Gebrauchsanweisungen: PART B
Διαβάσατε της γενικές οδηγίες : PART B

WAARSCHUWING
AVERTISSEMENT
WARNING
WARNUNG
ΠΡΟΣΟΧΗ