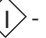
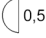



TEX FL

last update 09/11/2015

BEL1100

code 746_GU.04

50W - 230V~ - QPAR16 GU10 - CE - IP65 -  -  - 


BEL LIGHTING

BEL LIGHTING sprl
Avenue Ernest Solvay 42
B-1480 Saintes (Tubize)
Belgium
Phone: +32(0)2 3552428
Fax: +32(0)2 3550396
e-mail: info@bel-lighting.com
www.bel-lighting.com

INSTALLATION INSTRUCTIONS - PART A

1. FIT THE GROUND FIXATION ON THE GROUND
2. MAKE THE ELECTRICAL CONNECTION
3. PLACE THE LUMINARY
4. SWITCH ON

turn/rotate the spotlight
from the head



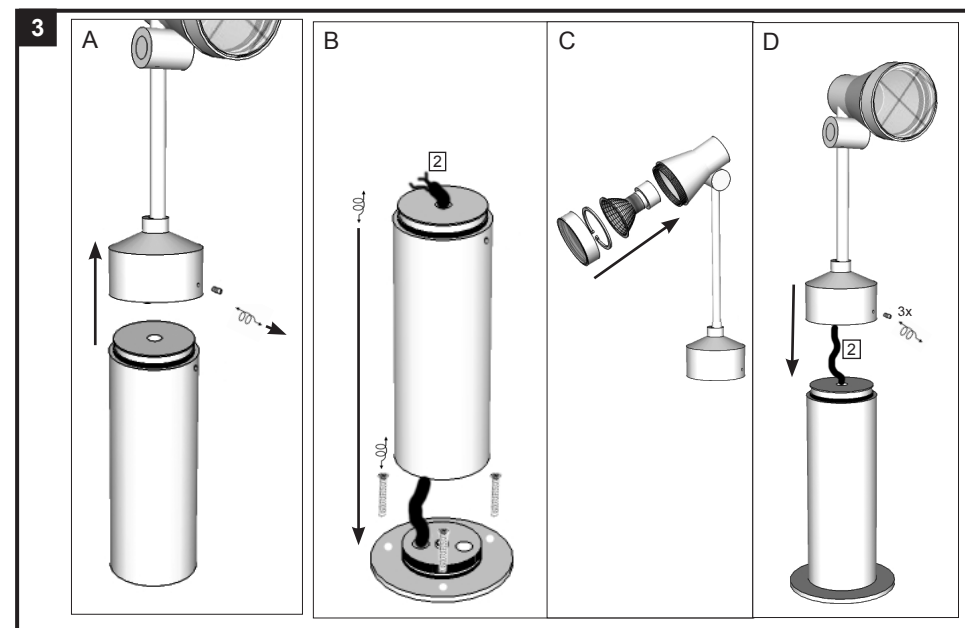
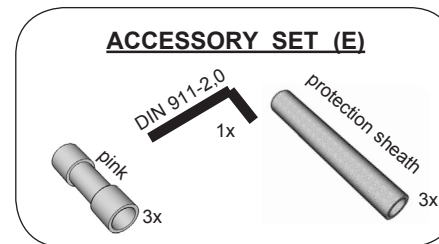
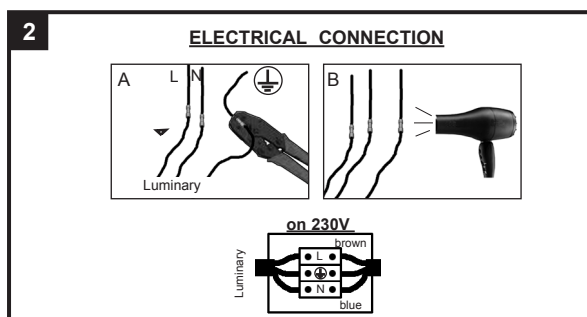
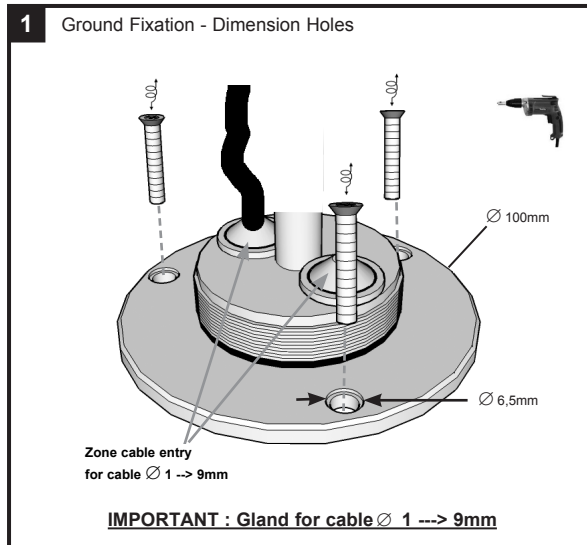
Accessories for ground fixation (delivered separately)

See catalog



Pic

PART A



Lees de algemene gebruiksvoorwaarden : PART B
Lire attentivement les conditions generales d'utilisation: PART B
Read attentively the general instructions: PART B
Lese Sie die allgemeinen Gebrauchsanweisungen: PART B
Diabaste thV genikeV odhgie V : PART B

WAARSCHUWING
AVERTISSEMENT
WARNING
WARNUNG
PROSOCH